

WARNING:

NEVER LOOK AT THE SUN THROUGH THE RED DOT SIGHT, IT MAY PERMANENTLY DAMAGE YOUR EYES. MAKE SURE THE FIREARM IS UNLOADED, CLEAR AND POINTED TO A SAFE DIRECTION WHEN OPERATING OR ZEROING THE B.A.O-1 OPTIC.

MOUNTING:

The B.A.O-1 optic uses a Shield® RMsC footprint and will mount to any firearm, optic mount or plate system that uses this footprint.

Securely tighten the B.A.O-1 optic with the included screws.

Make sure not to over tighten the screws as it may damage the B.A.O-1 optic's body or internal parts.

*Do not exceed 16 inch / pounds of torque on the screws.

WINDAGE & ELEVATION ADJUSTMENT:

-The windage dial (left to right) is located on the right side of the B.A.O-1 optic.

-The elevation dial (up and down) is located on the top of the B.A.O-1 optic.

-Use the supplied wrench to adjust your B.A.O-1 optic.



BATTERY EXCHANGE:

The B.A.O-1 optic is powered by a single CR2032 battery. If the dot of the B.A.O-1 optic grows dim or does not turn on, dismount the B.A.O-1 optic from the firearm and replace the battery. Do note that after removing the battery you will need to re-adjust the B.A.O-1 optic.

MS-1 OPERATION:

The B.A.O-1 optic has two working modes: Auto mode and Manual mode.

-Auto mode: the B.A.O-1 optic will automatically adjust its brightness according to the ambient light in which it is located.

-Manual mode: Use the - / + buttons to adjust the brightness manually.

-The B.A.O-1 comes with a built in motion sensor. After 3 minutes of rest, the sight will turn off automatically.

When the sensor senses a vibration or movement, it will turn on immediately.

-To change between the Auto and Manual mode, press the + button for 4 seconds.

-To turn off the B.A.O-1 optic press the - button for 4 seconds.



MAINTENANCE:

-When cleaning the lens, first blow away any dirt and dust, or use a soft lens brush. Fingerprints and lubricants can be wiped off with lens tissue or a soft clean cotton cloth moistened with lens cleaning fluid.

-All moving parts of the red dot sight are permanently lubricated. Do not try to lubricate them.

-No maintenance is needed on the B.A.O-1 optic outer surface, except to occasionally wipe off dirt or fingerprints with a soft cloth.

-Use the included optic cover when not in use.

STORAGE:

Avoid storing the B.A.O-1 optic in hot places, such as the passenger compartments of vehicles on hot days.

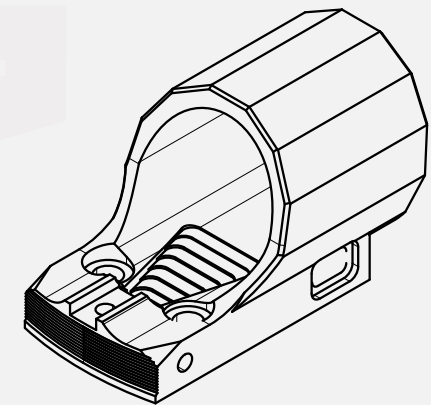
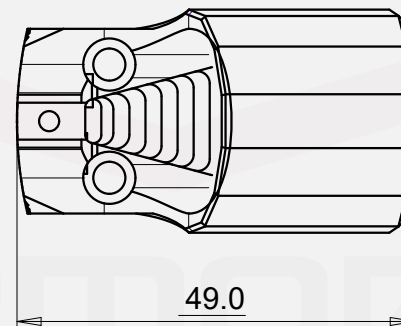
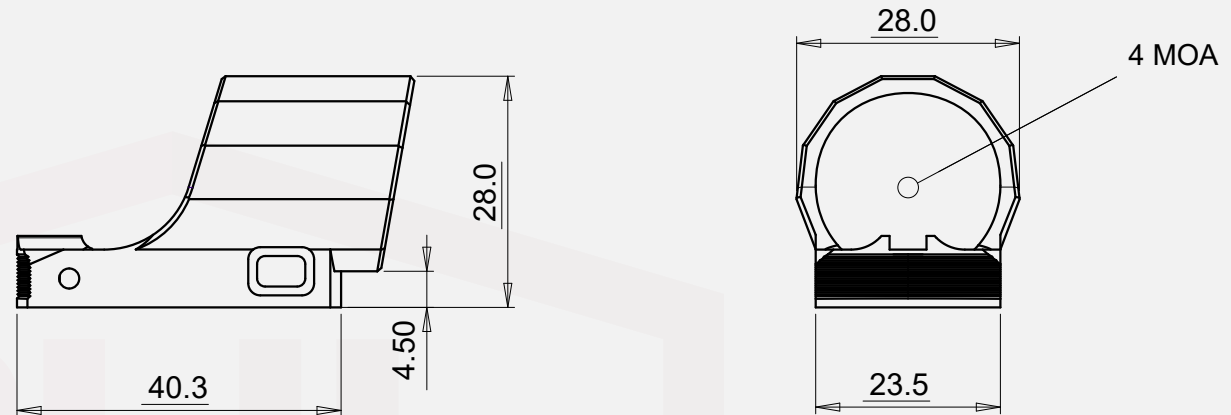
The high temperatures could adversely affect the lubricants and sealants. A vehicle's trunk, a gun cabinet or a closet is preferable.

Never leave the red dot sight where direct sunlight can enter either the objective lens. Damage may result from the concentration (burning glass effect) of the sun's rays.



B.A.O-1 SPECIFICATIONS:

- Window Lens Size: 23.5 x 21 mm / 0.92 x 0.82 in.
- Weight (Net): 23g / 0.81 oz.
- Length (Max): 49 mm / 1.92 in.
- Length (Base): 40.3 mm / 1.58 in.
- Height: 28 mm / 1.10 in.
- Width (Max): 28 mm / 1.10 in.
- Width (Base): 23.5 mm / 0.92 in.
- Dot Size: 4 MOA
- Dot Color: Green
- Dot Intensity: 8 Levels
- Footprint: Shield RMS-c®
- Working Temp: - 20 °C to 55 °C
- Housing Material: 6061- T6 Aluminum
- Battery Type: CR2032
- Battery Runtime: 50,000 hours (on weakest visible dot)



WHAT'S IN THE BOX:

- 1 x B.A.O 1 Sight.
- 1 x Picatinny Rail Mount.
- 1 x Cleaning Cloth.
- 2 x Mounting Screw M4x11 (For Bul Armory UL3.25" Slide).
- 2 x Mounting Screw 6/32x11.5 (For picatinny rail adapter).
- 2 x Mounting Screw M4x9.
- 2 x Mounting Screw M3x13.
- 1 x 2mm Hex Key.
- 1 x 1.5mm Hex Key.
- 1 x T10 Torx Key.



BUL OPTICS 1 YEAR LIMITED WARRANTY

- Your Bul Optics sight is warranted to be free of defects in materials and workmanship under the Bul Optics Limited 1 Year Warranty.
- This warranty applies to the original owner of the product and is not transferable.
- This warranty specifically applies to the metal structure of the product housing and the illumination system including electronics and LED.
- Included batteries are not covered under warranty.
- In the event of a confirmed defect under this warranty, we will, at our option, repair or replace the product with a Bul Optics product of similar type and of equal or greater value.
- Bul Optics reserves the right to make substitutions for similar product/s if the warranted model in question is no longer in production.

THIS LIMITED 1 YEAR WARRANTY DOES NOT APPLY TO:

- (a) defects caused by normal wear and tear of any part including but not limited to the glass, buttons, finish, accidents, neglect, misuse, abuse, etc.
- (b) defects caused by modification including but not limited to: aftermarket finishes, unauthorized service, improper maintenance, acts of nature and environmental damage.
- (c) defects involving subjective personal likes or judgments. Also, this warranty is null and void if modification or maintenance is provided by someone other than Bul Optics.

***BUL OPTICS IS A SUB BRAND OF BUL ARMORY**